



**RE-HDEQ**  
HDMI Repeater

**/// OPERATION MANUAL**



## **DISCLAIMERS**

The information in this manual has been carefully checked and is believed to be accurate. CYP (UK) Ltd assumes no responsibility for any infringements of patents or other rights of third parties which may result from its use.

CYP (UK) Ltd assumes no responsibility for any inaccuracies that may be contained in this document. CYP (UK) Ltd also makes no commitment to update or to keep current the information contained in this document.

CYP (UK) Ltd reserves the right to make improvements to this document and/or product at any time and without notice.

## **COPYRIGHT NOTICE**

No part of this document may be reproduced, transmitted, transcribed, stored in a retrieval system, or any of its part translated into any language or computer file, in any form or by any means—electronic, mechanical, magnetic, optical, chemical, manual, or otherwise—without express written permission and consent from CYP (UK) Ltd.

© Copyright 2011 by CYP (UK) Ltd.

All Rights Reserved.

Version 1.1 August 2011

## **TRADEMARK ACKNOWLEDGMENTS**

All products or service names mentioned in this document may be trademarks of the companies with which they are associated.

## SAFETY PRECAUTIONS

Please read all instructions before attempting to unpack, install or operate this equipment and before connecting the power supply.

Please keep the following in mind as you unpack and install this equipment:

- Always follow basic safety precautions to reduce the risk of fire, electrical shock and injury to persons.
- To prevent fire or shock hazard, do not expose the unit to rain, moisture or install this product near water.
- Never spill liquid of any kind on or into this product.
- Never push an object of any kind into this product through any openings or empty slots in the unit, as you may damage parts inside the unit.
- Do not attach the power supply cabling to building surfaces.
- Use only the supplied power supply unit (PSU). Do not use the PSU if it is damaged.
- Do not allow anything to rest on the power cabling or allow any weight to be placed upon it or any person walk on it.
- To protect the unit from overheating, do not block any vents or openings in the unit housing that provide ventilation and allow for sufficient space for air to circulate around the unit.

## REVISION HISTORY

VERSION NO.	DATE	SUMMARY OF CHANGE
v1.01	01/10/2013	Updated format/diagrams

# CONTENTS

<b>1. Introduction .....</b>	<b>6</b>
<b>2. Applications .....</b>	<b>6</b>
<b>3. Package Contents .....</b>	<b>6</b>
<b>4. System Requirements .....</b>	<b>6</b>
<b>5. Features.....</b>	<b>7</b>
<b>6. Operation Controls and Functions .....</b>	<b>8</b>
<b>7. Connection Diagram .....</b>	<b>9</b>
<b>8. Specifications.....</b>	<b>11</b>
<b>9. Acronyms.....</b>	<b>12</b>

## 1. INTRODUCTION

The RE-HDEQ is a mini HDMI equaliser enabling the user to extend their HDMI cable lengths up to 15m either side of the device. Resolution support up to 1080P 24fps/1920×1200(RB) and 3D compatibility makes this product a simple, yet very effective way of extending HDMI cable capabilities. Please note that the RE-HDEQ requires power to be received via the HDMI source, so it is important to ensure that the HDMI source being used is capable of providing the standard 2W power supply via HDMI as is common on many HDMI sources. For sources which do not have power via HDMI, CYP recommend the use of the RE-PI Power Inserter product, designed to be used alongside the RE-HDEQ.

## 2. APPLICATIONS

- /// Installation usage
- /// HDMI signal cascading
- /// HDMI Cable/System Extension

## 3. PACKAGE CONTENTS

- /// 1xRE-HDEQ HDMI Repeaterr
- /// Operation Manual

## 4. SYSTEM REQUIREMENTS

HDMI equipped source device and an HDMI equipped display (TV or monitor) or cascade with another HDMI device (such as an HDMI splitter) to extend the distance.

## 5. FEATURES

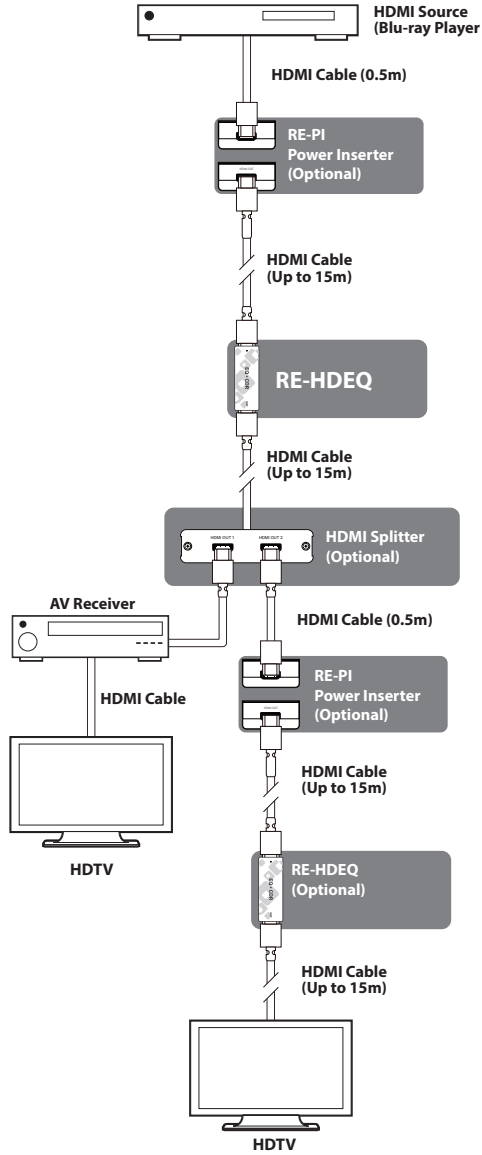
- /// Supports TMDS equalisation and CDR (Clock Rate Recovery) for extended HDMI cable range.
- /// Input/Output Resolutions: Output resolution follows Input: PC: VGA (640×480) to WUXGA/RB (1920×1200); HDTV: 480i to 1080p + 1080P 24fps.
- /// Requires HDMI source to output power via HDMI cable to power Enhancer (2W as standard).
- /// RE-HDEQ is capable of receiving and transmitting 2.25Gbps.
- /// Supports HDMI cable distance of 15m either side of the device at full 1080p.
- /// No PSU required

## 6. OPERATION CONTROLS AND FUNCTIONS



- 1 HDMI input:** Connect the HDMI input to the HDMI output of your source equipment such as Blu-ray player or HDMI switcher/HDMI Splitter/HDMI Matrix. The unit can be directly powered from HDMI source equipment that provides power through the HDMI cable or by a RE-PI Power Inserter connected between the source and the unit.
- 2 HDMI output:** Connect the HDMI output to the HDMI input of a HDMI transmitter or TV/display.

## 7. CONNECTION DIAGRAM





## 8. SPECIFICATIONS

<b>Frequency bandwidth</b>	2.25 Gbps (single link)
<b>Input Port</b>	1×HDMI (Female type)
<b>Output port</b>	1×HDMI (Female type)
<b>Output Resolution</b>	HDTV: 480i ~1080p@24/50/60 PC: VGA (640x480) ~ WUXGA/RB (1920x1200))
<b>Input Cable Distance</b>	15m / 8 or 12 bits
<b>Output Cable Distance</b>	15m / 8 or 12 bits
<b>ESD Protection</b>	Human Body        ± 8kV (air-gap discharge) model:                ± 4kV (contact discharge)
<b>Dimensions</b>	65 mm (W)×24 mm (D)×10 mm (H)
<b>Weight</b>	30 g
<b>Chassis Material</b>	Plastic
<b>Colour</b>	Black
<b>Operating Temperature</b>	0 °C~40 °C/32 °F ~ 104 °F
<b>Storage temperature</b>	-20 °C~60 °C / -4 °F~140 °F
<b>Relative Humidity</b>	20~90 % RH (no condensation)
<b>Power Consumption</b>	2W (Max)

## 9. ACRONYMS

<b>ACRONYM</b>	<b>COMPLETE TERM</b>
<b>CDR</b>	Clock Rate Recovery
<b>HDMI</b>	High Definition Multimedia Interface
<b>TMDS</b>	Transition-minimised Differential Signaling
<b>HDMI</b>	High Definition Multimedia Interface





---

CYP (UK) Ltd., Unit 7, Shepperton Business Park, Govett Avenue, Shepperton,  
Middlesex, TW17 8BA

Tel: +44 (0) 20 3137 9180 | Fax: +44 (0) 20 3137 6279

Email: [sales@cypeurope.com](mailto:sales@cypeurope.com)

[www.cypeurope.com](http://www.cypeurope.com)

v1.01